

# Lift Out (LO).

A removable secondary glazing panel within its own outer frame, which fixes to the face or reveal of the existing primary window. An ideal solution when only occasional cleaning access is required.

## Features

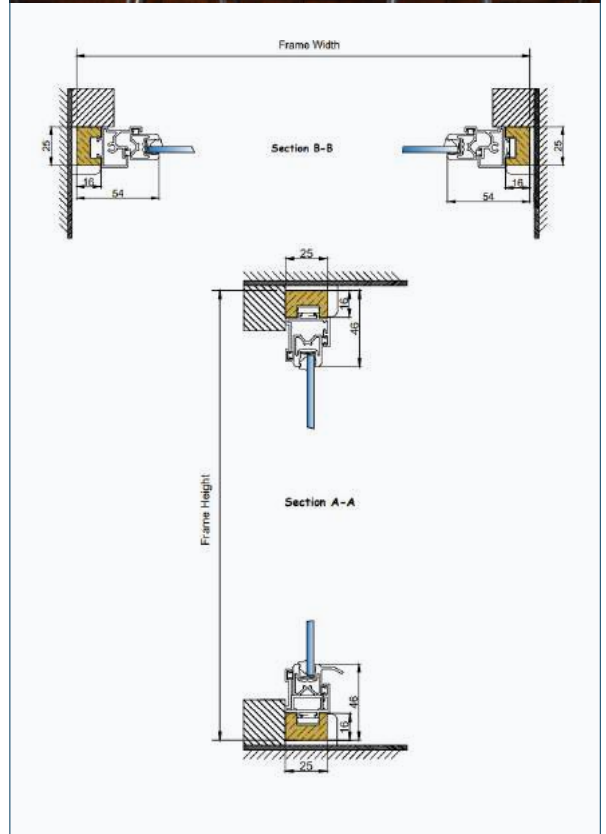
- Slim, unobtrusive aluminium profile
- Economical option to secondary glaze primary window
- Improved noise and thermal installation
- Suitable for arched and shaped applications
- Suitable to have bevelled timber subframe to fix in to bays/splayed reveals
- Can be coupled or stacked
- Easy to remove panel for cleaning and maintenance of primary window

## Specification

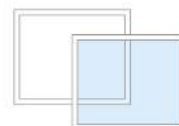
- Glazing options: 4mm in our Classic range
- Glazing options: 6mm – 10.8mm in our Enhanced range
- Choice of timber subframes
- Pre-drilled and countersunk for face fix and reveal fix through timber. Reveal fix through aluminum is self-drilled
- Woolpile inserted in to panel section groove to create outer frame seal
- Gasket colour – white as standard, black also available upon request
- PVCu trims supplied for the face of the units to create a neat, clean finish
- Standard colour 9003 Satin White

## Variations of Basic Unit

- Standard and acoustic trickle vents are available
- Larger trims and timber trims available at additional costs
- Variety of stock colours available, plus access to over 200 RAL Colours (charges apply).



## LO



MAX WIDTH  
2,000mm  
MAX HEIGHT  
2,000mm



### Optimum Noise Reduction: 49dB (Rw)

Using 6mm toughened primary glazing and 6.8mm acoustic laminate secondary glazing.



### Optimum U Value: 1.868 W/m2K

Using 4mm toughened Low E glazing, with 80mm glass-to-glass